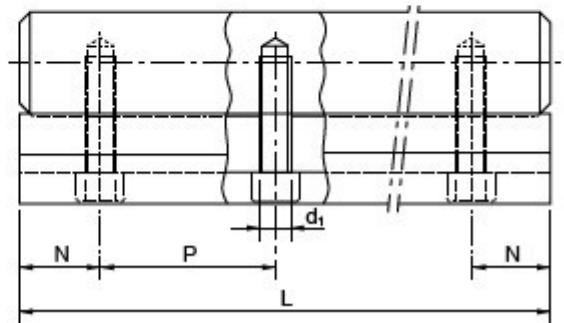
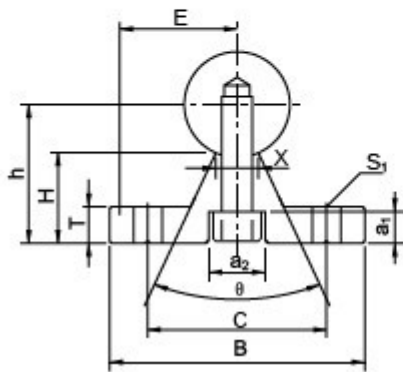
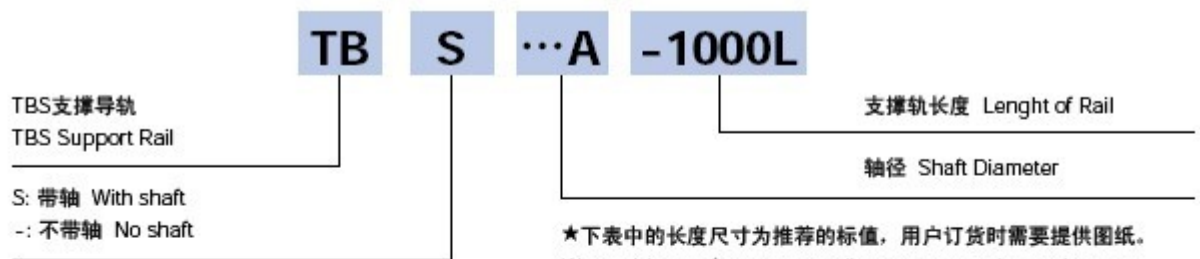


Support Rail Units TBS:

Home >> Products >> Support Rail Units >> Support Rail Units TBS



Product description:



Designation	Shaft Diameter	Nominal Dimensions(mm)												Weight (kgf/m)
		E	h	B	H	T	X	C	θ	S1	a1	a2	d1	
TBS16A	16	25	22	50	14.84	6	8	37	60°	5.5	6	9.5	5.5	2.45
TBS20A	20	27.5	29	55	19.64	8	8	40	50°	5.5	6.5	11	6.6	3.6
TBS25A	25	32.5	32	65	20	10	8	45	50°	6.6	6.5	11	6.6	5.6

TBS30A

30

37.5

36.5

75

22.28

12

10.3

55

50°

6.6

8.5

14

9

8.00

Support Rail STANDARD length and Dimensions

Designation	SBS16A	SBS20A	SBS25A	SBS30A
Standard	190	340	250	450
	340		450	850
Length	640	640	850	1250
	940	9401240	1250	1450
N	20	20	25	25
P	150	150	200	200
Max.Length	1,390	1,390	1,850	1,850

Company Information:

Company Name:

Ningbo Meiyate Precision Transfers Component Co., Ltd.

Website: www.myt-bearing.com

Address:

no.2,shangshao east zone,zhuangqiao town,jiangbei district,ningbo,china

Post-code:315040

Contact Person:Mr.Champion Chen

Phone:

Telephone:+86-574-87913383, +86-574-87913373

Fax:+86-574-87910857

Mobile Phone:13685851212

Email:

championchen@china-myt.com

Live Chat:

Msn:championchen1980@hotmail.com