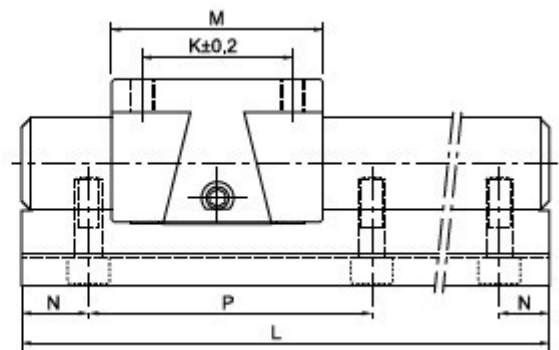
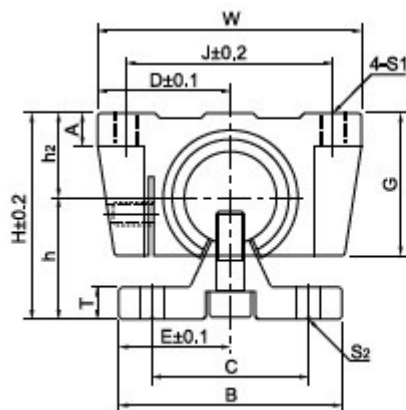
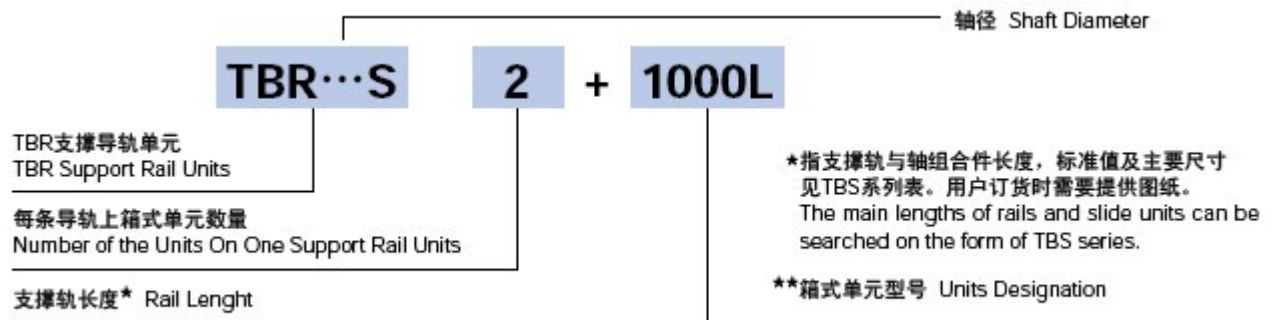


Support Rail Units TBR...S:

Home >> Products >> Support Rail Units >> Support Rail Units TBR...S



Product description:



Designation		Shaft Diameter	Basic load rating		Weight(gf)		Dimensions (mm)			
Rail Units	Slide Units		Dynamic C N	Static Co N	Slide Units (kgf)	Rails (kgf/m)	D	h	H	E
TBR16S	TBR16UU	16	392	490	0.18	2.45	31	22	40	25

TBR20S	TBR20UU	20	784	1176	0.30	3.60	34	29	50	27.5
TBR25S	TBR25UU	25	1568	2352	0.60	5.60	41	32	60	32.5
TBR30S	TBR30UU	30	1764	2940	0.90	8.00	45.5	36.5	70	37.5

Designation	Dimensions(mm)												
	W	G	A	B	T	M	S1	J	K	S2	C	N	P
TBR16S	62	26	8	50	6	42	M5	50	30	5.5	37	20	150
TBR20S	68	31	10	55	8	51	M6	54	37	5.5	40	20	150
TBR25S	82	41	12	65	10	65	M8	65	50	6.6	45	25	200
TBR30S	91	48	12	75	12	75	M8	75	60	6.6	55	25	200

Designation	Shaft Diameter	Basic load rating		Dimensions(mm)									Linear Motion Ball Bearing		
		Dynamic C N	Static Co N	W	G	A	M	S1	J	K	E	h2	Designation	Basic load rating	
														Dynamic C N	Static Co N
TBR16LUU	16	780	980	62	26	8	85	M5	50	60	31	18	2xLM16UUOP	392	490
TBR20LUU	20	1,568	2,352	68	31	10	96	M6	54	70	34	21	2xLM20UUOP	784	1,176
TBR25LUU	25	3,136	4,704	82	41	12	130	M8	65	100	41	28	2xLM25UUOP	1,568	2,352
TBR30LUU	30	3,528	5,880	91	48	12	140	M8	75	110	46	34	2xLM30UUOP	1,764	2,940

Company Information:

Company Name:

Ningbo Meiyate Precision Transfers Component Co., Ltd.

Website: www.myt-bearing.com

Address:

no.2,shangshao east zone,zhuangqiao town,jiangbei district,ningbo,china

Post-code:315040

Contact Person:Mr.Champion Chen

Phone:

Telephone:+86-574-87913383, +86-574-87913373

Fax:+86-574-87910857

Mobile Phone:13685851212

Email:

championchen@china-myt.com

Live Chat:

Msn:championchen1980@hotmail.com