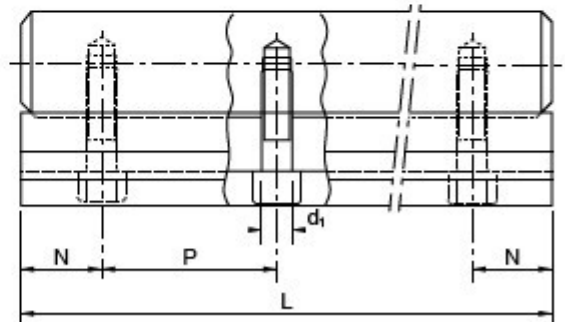
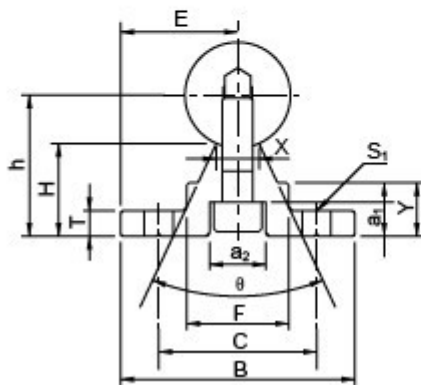
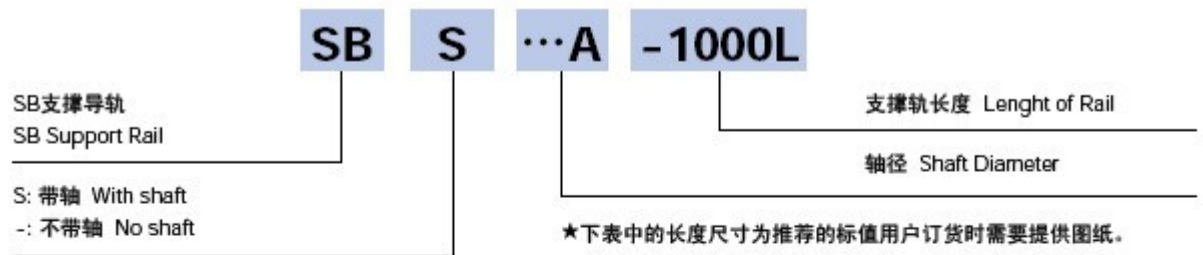


Support Rail Units SBS:

Home >> Products >> Support Rail Units >> Support Rail Units SBS



Product description:



Designation	Shaft Diameter	Nominal Dimensions(mm)														Weight (kgf/m)
		E	h	B	H	T	F	X	Y	C	θ	S1	a1	a2	d1	
SBS16A	Φ16	20	25	40	17.8	5	18.5	8	11.7	30	80°	Φ5.5	6	9.5	5.5	2.56
SBS20A	Φ20	22.5	27	45	17.7	5	19	8	10	30	50°	Φ5.5	6.5	11	6.6	3.5
SBS25A	Φ25	27.5	33	55	21	6	21.5	8	12	35	50°	Φ6.6	6.5	11	6.6	5.3

SBS30A	Φ30	30	37	60	22.8	7	26.5	10.3	13	40	50°	Φ6.6	8.5	14	9	7.38
SBS35A	Φ35	32.5	43	65	26.5	8	28	13	15.5	45	50°	Φ9	8.5	14	9	9.68
SBS40A	Φ40	37.5	48	75	29.4	9	38	16	17	55	50°	Φ9	8.5	14	9	12.69
SBS50A	Φ50	47.5	62	95	38.8	11	45	20	21	70	50°	Φ11	12.5	11	11	20.46

Support Rail STANDARD length and Dimensions

型号 Designation	SBS16A	SBS20A	SBS25A	SBS30A	SBS35A	SBS40A	SBS50A
Standard Length L	190	340	250	450	460	460	470
	340	640	450	850	660	660	670
	640	940	850	1250	860	860	870
	940	1240	1250	1450	1060	1060	1070
N	20	20	25	25	30	30	35
P	150	150	200	200	200	200	200
Max.Length	1,390	1,390	1,850	1,850	1,860	1,860	2,070

Company Information:

Company Name:

Ningbo Meiyate Precision Transfers Component Co., Ltd.

Website: www.myt-bearing.com

Address:

no.2,shangshao east zone,zhuangqiao town,jiangbei district,ningbo,china

Post-code:315040

Contact Person:Mr.Champion Chen

Phone:

Telephone:+86-574-87913383, +86-574-87913373

Fax:+86-574-87910857

Mobile Phone:13685851212

Email:

championchen@china-myt.com

Live Chat:

Msn:championchen1980@hotmail.com

