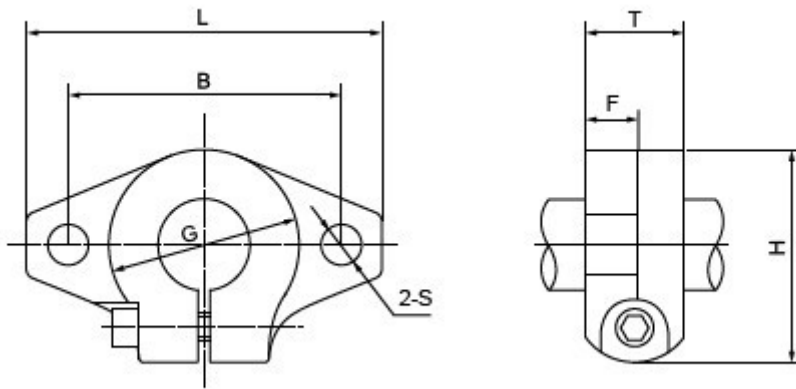


## Shaft Support SHF:

Home >> Products >> Shaft Support >> Shaft Support SHF



### Product description:



Designation	Shaft Diameter	Dimensions(mm)							Mounting bolt designation	Clamping bolt designation	Weight (gf)
		L	T	F	B	G	H	S			
SHF10	Φ10	43	10	5	32	20	24	5.5	M5	M4	13
SHF 12	Φ12	47	13	7	36	25	28	5.5	M5	M4	20
SHF 13	Φ13	47	13	7	36	25	28	5.5	M5	M4	20
SHF16	Φ16	50	16	8	40	28	31	5.5	M5	M4	27
SHF20	Φ20	60	20	8	48	34	37	7	M6	M5	40
SHF25	Φ25	70	25	10	56	40	42	7	M6	M5	60
SHF30	Φ30	80	30	12	64	46	50	9	M8	M6	110

SHF35	Φ35	92	35	14	72	50	58	12	M10	M8	380
SHF40	Φ40	102	40	16	80	56	67	12	M10	M10	510
SHF50	Φ50	122	50	19	96	70	83	14	M12	M12	890
SHF60	Φ60	140	60	23	112	82	95	14	M12	M12	1500

## Company Information:

### Company Name:

Ningbo Meiyate Precision Transfers Component Co., Ltd.

Website: [www.myt-bearing.com](http://www.myt-bearing.com)

### Address:

no.2,shangshao east zone,zhuangqiao town,jiangbei district,ningbo,china

Post-code:315040

**Contact Person:**Mr.Champion Chen

### Phone:

Telephone:+86-574-87913383, +86-574-87913373

Fax:+86-574-87910857

Mobile Phone:13685851212

### Email:

[championchen@china-myt.com](mailto:championchen@china-myt.com)

### Live Chat:

Msn:[championchen1980@hotmail.com](mailto:championchen1980@hotmail.com)