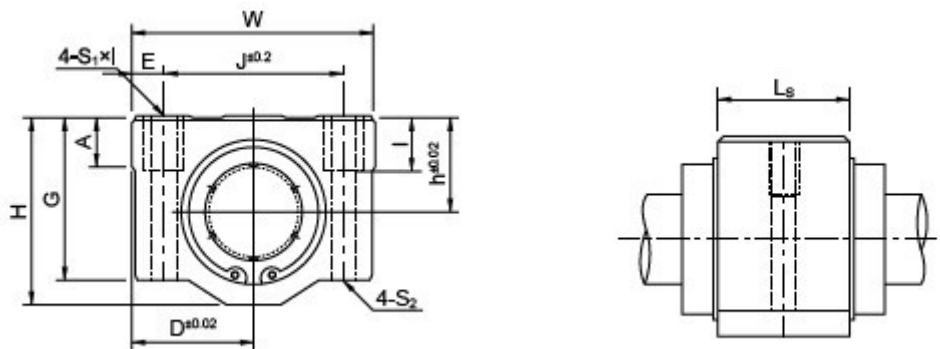


Linear Motion Ball Bearing Slide Units SC...SUU:

Products Home >> Products >> Linear Bearing Slide Units >> Linear Motion Ball Bearing Slide Units SC...SUU



Product Description:



Standard		Basic load rating		Weight (gf)	Length Type		Basic load rating		Weight(gf)	Shorten Type	
Designation	Liner Bearing	Dynamic C N	Static Co N		Designation	Liner Bearing	Dynamic C N	Static Co N		Designation	Liner Bearing
SC8UU	LM8UU	274	392	56	SC8LUU	2×LM8UU	431	784	94	SC8SUU	LM8UU
SC10UU	LM10UU	372	549	90	SC10LUU	2×LM10UU	588	1100	147	SC10SUU	LM10UU
SC12UU	LM12UU	510	784	112	SC12LUU	2×LM12UU	813	1570	220	SC12SUU	LM12UU
SC13UU	LM13UU	510	784	123	SC13LUU	2×LM13UU	813	1570	245	SC13SUU	LM13UU
SC16UU	LM16UU	774	1180	189	SC16LUU	2×LM16UU	1230	2350	376	SC16SUU	LM16UU
SC20UU	LM20UU	882	1370	237	SC20LUU	2×LM20UU	1410	2740	476	SC20SUU	LM20UU

SC25UU	LM25UU	980	1570	555	SC25LUU	2×LM25UU	1610	3140	1115	SC25SUU	LM25UU
SC30UU	LM30UU	1570	2740	685	SC30LUU	2×LM30UU	2450	5490	1375	SC30SUU	LM30UU
SC35UU	LM35UU	1670	3140	1100	SC35LUU	2×LM35UU	2650	6270	2200	SC35SUU	LM35UU
SC40UU	LM40UU	2160	4020	1600	SC40LUU	2×LM40UU	3430	8040	3200	SC40SUU	LM40UU
SC50UU	LM50UU	3820	7940	3350	SC50LUU	2×LM50UU	6080	15900	6720	SC50SUU	LM50UU

Basic load rating		Wgight (gf)	Dimensions (mm)																
			Shaft Diameter	Nominal Dimensions(mm)												SC...UU		SC...LUU	
Dynamic C N	Static Co N			h	D	W	H	G	A	J	E	S1×I	S2	K	L	k&	L&	LS	
260	400	36	Φ8	11	17	34	22	18	6	24	5	M4×8	Φ3.4	18	30	42	58	15.4	
370	540	63	Φ10	13	20	40	26	21	8	28	6	M5×12	Φ4.3	21	35	46	68	19.5	
410	590	74	Φ12	15	21	42	28	24	8	30.5	5.75	M5×12	Φ4.3	26	36	50	70	20.5	
500	770	85	Φ13	15	22	44	30	24.5	8	33	5.5	M5×12	Φ4.3	26	39	50	75	20.5	
770	1170	132	Φ16	19	25	50	38.5	32.5	9	36	7	M5×12	Φ4.3	34	44	60	85	23.5	
860	1370	170	Φ20	21	27	54	41	35	11	40	7	M6×12	Φ5.2	40	50	70	96	27.4	
980	1560	405	Φ25	26	38	76	51.5	42	12	54	11	M8×18	Φ7	50	67	100	130	37.4	
1560	2740	495	Φ30	30	39	78	59.5	49	15	58	10	M8×18	Φ7	58	72	110	140	40.9	
1660	3130	790	Φ35	34	45	90	68	54	18	70	10	M8×18	Φ7	60	80	120	155	45.4	
2150	4010	1220	Φ40	40	51	102	78	62	20	80	11	M10×25	Φ8.7	60	90	140	175	56.4	
3820	7930	2300	Φ50	52	61	122	102	80	25	100	11	M10×25	Φ8.7	80	110	160	215	68.9	

Company Information:

Company Name:

Ningbo Meiyate Precision Transfers Component Co., Ltd.

Website:www.myt-bearing.com

Address:

no.2,shangshao east zone,zhuangqiao town,jiangbei district,ningbo,china

Post-code:315040

Contact Person:Mr.Champion Chen

Phone:

Telephone:+86-574-87913383, +86-574-87913373

Fax:+86-574-87910857

Mobile Phone:13685851212

Email:

championchen@china-myt.com

Live Chat:

Msn:championchen1980@hotmail.com