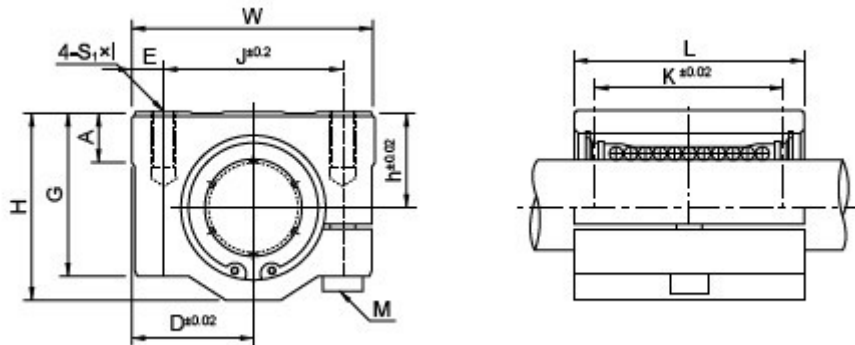


## Linear Motion Ball Bearing Slide Units SCJ...UU:

Products Home >> Products >> Linear Bearing Slide Units >> Linear Motion Ball Bearing Slide Units SCJ...UU



### Product Description:



Designation	Liner Bearing	Basic load rating		Shaft Diameter	Dimensions (mm)												Weight (gf)
		Dynamic C N	Static Co N		h	D	W	H	G	A	J	E	S1×l	K	L	M	
SCJ10UU	LM10UUAJ	372	549	10	13	20	40	26	21	8	28	6	M5×12	21	35	M5	90
SCJ12UU	LM12UUAJ	510	784	12	15	21	42	28	24	8	30.5	5.75	M5×12	26	36	M5	112
SCJ13UU	LM13UUAJ	510	784	13	15	22	44	30	24.5	8	33	5.5	M5×12	26	39	M5	123
SCJ16UU	LM16UUAJ	774	1180	16	19	25	50	38.5	32.5	9	36	7	M5×12	34	44	M5	189
SCJ20UU	LM20UUAJ	882	1370	20	21	27	54	41	35	11	40	7	M6×12	40	50	M5	237
SCJ25UU	LM25UUAJ	980	1570	25	26	38	76	51.5	42	12	54	11	M8×18	50	67	M6	555

SCJ30UU	LM30UUAJ	1570	2740	30	30	39	78	59.5	49	15	58	10	M8×18	58	72	M6	685
SCJ35UU	LM35UUAJ	1670	3140	35	34	45	90	68	54	18	70	10	M8×18	60	80	M6	1100
SCJ40UU	LM40UUAJ	2160	4020	40	40	51	102	78	62	20	80	11	M10×25	60	90	M8	1600
SCJ50UU	LM50UUAJ	3820	7940	50	52	61	122	102	80	25	100	11	M10×25	80	110	M8	3350