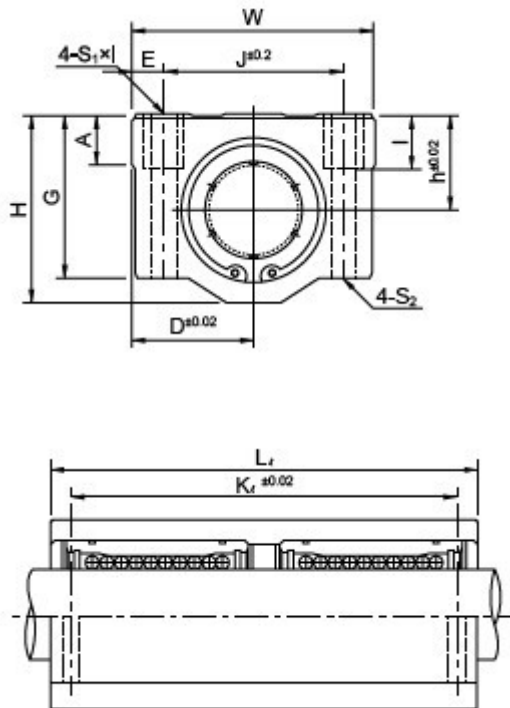


Linear Motion Ball Bearing Slide Units SCE...LUU:

Products Home >> Products >> Linear Bearing Slide Units >> Linear Motion Ball Bearing Slide Units SCE...LUU



Product Description:



Standard		Basic load rating		Weight (gf)	Length Type		Basic load rating		Weight (gf)	Shorten Type	
Designation	Liner Bearing	Dynamic C N	Static Co N		Designation	Liner Bearing	Dynamic C N	Static Co N		Designation	Liner Bearing
SCE8UU	LME8UU	260	400	80	SCE8LUU	2×LME8UU	410	800	98	SCE8SUU	LME8UU

SCE12UU	LME12UU	410	590	118	SCE12LUU	2×LME12UU	650	1,180	232	SCE12SUU	LME12UU
SCE16UU	LME16UU	770	1,170	180	SCE16LUU	2×LME16UU	1,230	2,340	360	SCE16SUU	LME16UU
SCE20UU	LME20UU	860	1,370	245	SCE20LUU	2×LME20UU	1,370	2,740	490	SCE20SUU	LME20UU
SCE25UU	LME25UU	980	1,560	550	SCE25LUU	2×LME25UU	1,560	3,120	1,100	SCE25SUU	LME25UU
SCE30UU	LME30UU	1,560	2,740	760	SCE30LUU	2×LME30UU	2,490	5,480	1,525	SCE30SUU	LME30UU
SCE40UU	LME40UU	2,150	4,010	1,700	SCE40LUU	2×LME40UU	3,440	8,020	3,400	SCE40SUU	LME40UU
SCE50UU	LME50UU	3,820	7,930	2,950	SCE50LUU	2×LME50UU	6,110	15,860	5,920	SCE50SUU	LME50UU

Basic load rating		Wgight (gf)	Dimensions (mm)															
			Shaft Diameter	Nominal Dimensions(mm)										SC...UU		SC...LUU		SC...SUU
Dynamic C N	Static Co N			h	D	W	H	G	A	J	E	S1×I	S2	K	L	k&	L&	LS
260	400	40	Φ8	11	17	34	22	18	6	24	5	M4×8	3.4	18	30	42	58	14.4
410	590	82	Φ12	15	22	44	30	24	8	33	5.5	M5×10	4.3	26	39	64	77	20.3
770	1170	122	Φ16	19	25	50	38.5	32.5	9	36	7	M5×12	4.3	34	44	79	89	22.3
860	1370	176	Φ20	21	27	54	41	35	11	40	7	M6×12	5.2	40	53	90	106	28.3
980	1560	400	Φ25	26	38	76	51.5	41	12	54	11	M8×18	7	50	67	119	136	40.4
1560	2740	570	Φ30	30	39	78	59.5	49	15	58	10	M8×18	7	58	76	132	154	48.4
2150	4010	1320	Φ40	40	51	102	78	62	20	80	11	M10×25	8.7	60	90	150	180	56.5
3820	7930	1900	Φ50	52	61	122	102	80	25	100	11	M10×25	8.7	80	110	200	230	72.3

Company Information:

Company Name:

Ningbo Meiyate Precision Transfers Component Co., Ltd.

Website:www.myt-bearing.com

Address:

no.2,shangshao east zone,zhuangqiao town,jiangbei district,ningbo,china

Post-code:315040

Contact Person:Mr.Champion Chen

Phone:

Telephone:+86-574-87913383, +86-574-87913373

Fax:+86-574-87910857

Mobile Phone:13685851212

Email:

championchen@china-myt.com

Live Chat:

Msn:championchen1980@hotmail.com