

Linear Motion Ball Bearing Series LME...UU-AJ:

Products Home >> Products >> Linear Bearing Series >> Linear Motion Ball Bearing Series
LME... UU-AJ



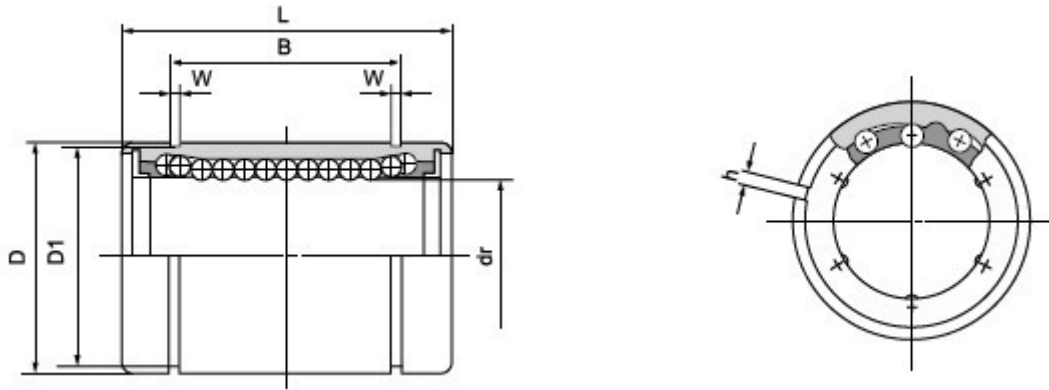
Product Description:

LME...UU (Resin retainer)
This type is a metric dimension series

Nominal shaft diameter mm	Resin retainer									mm	dr	
	LM...UU	Ball circuit	Weight (gf)	LM...UU-AJ	Ball circuit	Weight (gf)	LM...UU-OP	Ball circuit	Weight (gf)		Tolerance μ m	
											Precision	High
3	LME3	4	1.35	—	—	—	—	—	—	3	—	+8 0
4	LME4	4	1.9	—	—	—	—	—	—	4		
5	LME5UU	4	11	LME5UU-AJ	4	10	—	—	—	5		
8	LME8UU	4	20	LME8UU-AJ	4	19.5	—	—	—	8		
10	LME10UU	4	29.5	LME10UU-AJ	4	29	LME10UU-OP	3	23	10	—	+9 -1
12	LME12UU	4	41	LME12UU-AJ	4	40	LME12UU-OP	3	25	12		
16	LME16UU	5	57	LME16UU-AJ	5	56	LME16UU-OP	4	52	16	—	+11
20	LME20UU	5	91	LME20UU-AJ	5	90	LME20UU-OP	4	69	20		
25	LME25UU	6	215	LME25UU-AJ	6	212	LME25UU-OP	5	188	25		

generally used in Europe.

30	LME30UU	6	325	LME30UU-AJ	6	320	LME30UU-OP	5	210	30		
40	LME40UU	6	705	LME40UU-AJ	6	694	LME40UU-OP	5	500	40		
50	LME50UU	6	1,130	LME50UU-AJ	6	1,110	LME50UU-OP	5	1,340	50	—	+13 -2
60	LME60UU	6	2,000	LME60UU-AJ	6	2,050	LME60UU-OP	5	1,610	60		



Major dimensions and tolerance											Eccentricity μ m	Radial clearance (Max) μ m	Basic load rating	
mm	D Tolerance μ m	mm	L Tolerance μ m	mm	B Tolerance μ m	W mm	D1 mm	h mm	h1 mm	θ			Dynaiaic Co N	Static Co N
7		10	0	—	—	—	—	—	—	—	10	-3	69	105
8	0	12	? -120	—	—	—	—	—	—	—			88	127
12	-8	22		14.5		1.1	11.5	1	—	—	12	-4	206	265
16		25		16.5		1.1	15.2	1	—	—			265	402
19	0	29	0	22	0	1.3	18	1	6.8	80o	15	-8	372	549
22	-9	32	-200	22.9	-200	1.3	21	1.5	7.5	78o			510	784
26		36		24.9		1.3	24.9	1.5	10	78o	17	-13	578	892
32	0	45		31.5		1.6	30.3	2	10	60o			862	1370
40	-11	58		44.1		1.85	37.5	2	12.5	60o	20	-13	980	1570
47		68	0	52.1	0	1.85	44.5	2	12.5	50o			1570	2740
62	0	80	-300	60.6	-300	2.15	59	3	16.8	50o	20	-13	2160	4020
75	-13	100		77.6		2.65	72	3	21	50o			3820	7940
90	0 -15	125	0 -400	101.7	0 -400	3.15	86.5	3	27.2	54o			4700	9800

Company Information:

Company Name:

Ningbo Meiyate Precision Transfers Component Co., Ltd.

Website: www.myt-bearing.com

Address:

no.2,shangshao east zone,zhuangqiao town,jiangbei district,ningbo,china

Post-code:315040

Contact Person:Mr.Champion Chen

Phone:

Telephone:+86-574-87913383, +86-574-87913373

Fax:+86-574-87910857

Mobile Phone:13685851212

Email:

championchen@china-myt.com

Live Chat:

Msn:championchen1980@hotmail.com