

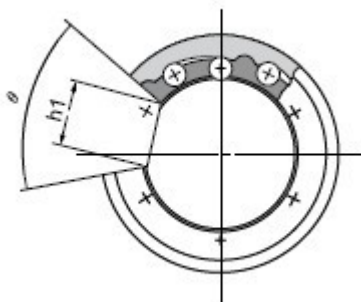
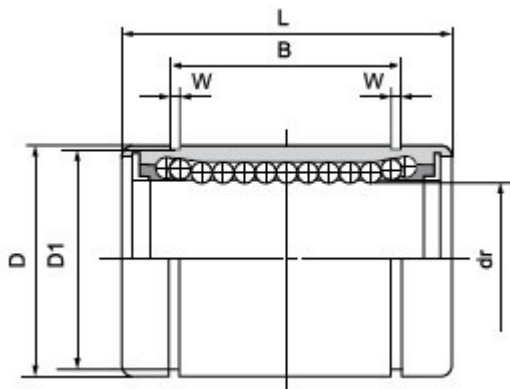
## Linear Motion Ball Bearing Series LM...UU-OP:

Products Home >> Products >> Linear Bearing Series >> Linear Motion Ball Bearing Series LM...UU-OP



### Product Description:

**LM...UU (Resin retainer)**  
This type is a metric dimension series widely used in Asia and other countries



Resin retainer

mm

Nominal shaft diameter mm										
	LM...UU	ball circuit	Weight (gf)	LM...UU-AJ	ball circuit	Weight (gf)	LM...UU-OP	Ball circuit	Weight (gf)	
3	LM3	4	1.35	—	—	—	—	—	—	3
4	LM4	4	1.9	—	—	—	—	—	—	4
5	LM5UU	4	4	—	—	—	—	—	—	5
6	LM6UU	4	7.6	LM6UU-AJ	4	7.5	—	—	—	6
8	LM8SUU	4	10.4	LM8SUU-AJ	4	10	—	—	—	8
8	LM8UU	4	15	LM8UU-AJ	4	14.7	—	—	—	8
10	LM10UU	4	29.5	LM10UU-AJ	4	29	LM10UU-OP	3	23	10
12	LM12UU	4	31.5	LM12UU-AJ	4	31	LM12UU-OP	3	25	12
13	LM13UU	4	43	LM13UU-AJ	4	42	LM13UU-OP	3	34	13
16	LM16UU	5	69	LM16UU-AJ	5	68	LM16UU-OP	4	52	16
20	LM20UU	5	87	LM20UU-AJ	5	85	LM20UU-OP	4	69	20
25	LM25UU	6	220	LM25UU-AJ	6	216	LM25UU-OP	5	188	25
30	LM30UU	6	250	LM30UU-AJ	6	245	LM30UU-OP	5	210	30
35	LM35UU	6	390	LM35UU-AJ	6	384	LM35UU-OP	5	335	35
40	LM40UU	6	585	LM40UU-AJ	6	579	LM40UU-OP	5	500	40
50	LM50UU	6	1,580	LM50UU-AJ	6	1,560	LM50UU-OP	5	1,340	50
60	LM60UU	6	1,860	LM60UU-AJ	6	1,820	LM60UU-OP	5	1,610	60
80	LM80UU	6	4,420	LM80UU-AJ	6	4,300	LM80UU-OP	5	3,650	80
100	LM100UU	6	8,600	LM100UU-AJ	6	8,540	LM100UU-OP	5	7,200	100
120	LM120UU	8	15,000	LM120UU-AJ	8	14,900	LM120UU-OP	6	11,600	120
150	LM150UU	8	20,250	LM150UU-AJ	8	20,150	LM150UU-OP	6	15,700	150

Major dimensions and tolerance											Eccentricity $\mu$ M		Radial clearance (max) $\mu$ m	B Dy c
mm	D	mm	L	mm	B	w mm	D1 mm	h mm	h1 mm	$\theta$	Precision	High		
	Tolerance $\mu$ m		Tolerance $\mu$ m		Tolerance $\mu$ m									

7		10		—	—	—	—	—	—	4	8	
8	0 -9	12	0 -120	—	—	—	—	—	—			
10		15		10.2		1.1	9.6	—	—			-3
12		19		13.5		1.1	11.5	—	—			
15	0 -11	17		11.5		1.1	14.3	1	—			
15		24		17.5		1.1	14.3	1	—			
19		29	0 -200	22	0 -200	1.3	18	1	6.8	8	12	
21	0 -13	30		23		1.3	20	1.5	8			-4
23		32		23		1.3	22	1.5	9			
28		37		26.5		1.6	27	1.5	11			
32		42		30.5		1.6	30.5	1.5	11			-6
40	0 -16	59		41		1.85	38	2	12	10	15	
45		64		44.5		1.85	43	2.5	15			-8
52		70	0 -300	49.5	0 -300	2.1	49	2.5	17			1
60	0 -19	80		60.5		2.1	57	3	20	12	20	-10
80		100		74		2.6	76.5	3	25			3
90	0 -22	110		85		3.15	86.5	3	30	17	25	-13
120		140		105.5		4.15	116	3	40			7
150	0 -25	175	0 -400	125.5	0 -400	4.15	145	3	50	20	30	-20
180		200		158.6		4.15	175	3	85			14
210	0 -29	240		170.6		5.15	204	3	105	25	40	-25

## Company Information:

### Company Name:

Ningbo Meiyate Precision Transfers Component Co., Ltd.

Website: [www.myt-bearing.com](http://www.myt-bearing.com)

### Address:

no.2,shangshao east zone,zhuangqiao town,jiangbei district,ningbo,china

Post-code:315040

**Contact Person:**Mr.Champion Chen

**Phone:**

Telephone:+86-574-87913383, +86-574-87913373

Fax:+86-574-87910857

Mobile Phone:13685851212

**Email:**

championchen@china-myt.com

**Live Chat:**

Msn:championchen1980@hotmail.com