

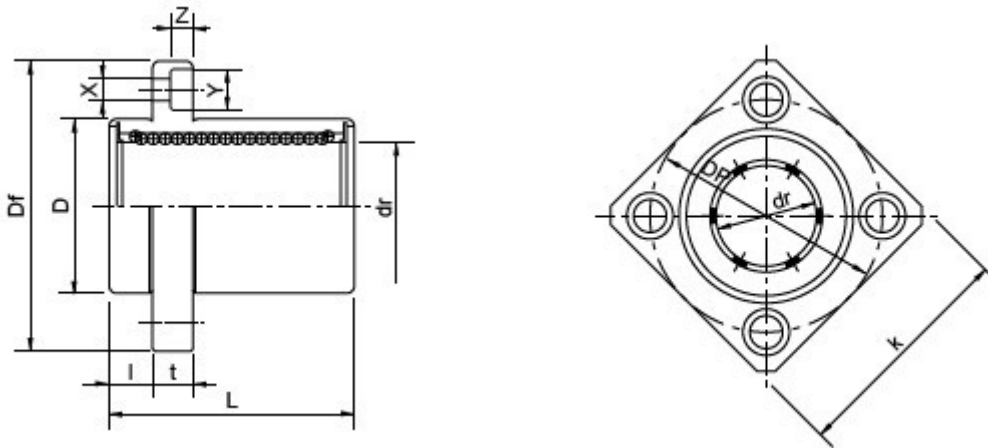
## Flanged Linear Motion Ball Bearing Series LMKP... UU:

Home >> Products >> Flanged Linear Bearing Series >> Flanged Linear Motion Ball Bearing Series LMKP... UU



### Product Description:

**LMKP...UU (Resin retainer)**  
 This type is a metric dimension series widely used in Asia and other countries.



Nominal shaft diameter mm	LMFP...UU	Weight (gf)	LMKP...UU	Weight (gf)	Major dimensions and tolerance					
					mm	dr	mm	D	mm	L
						Tolerance $\mu$ m		Tolerance $\mu$ m		Tolerance $\mu$ m
6	LMFP6UU	24	LMKP6UU	18	6	0	12		19	$\pm 300$
8	LMFP8UU	37	LMKP8UU	29	8	-9	15	0	24	
10	LMFP10UU	72	LMKP10UU	52	10		19	-13	29	
12	LMFP12UU	76	LMKP12UU	57	12		21	0	30	0
13	LMFP13UU	88	LMKP13UU	72	13		23	-16	32	-200

16	LMFP16UU	120	LMKP16UU	104	16				28		37	
20	LMFP20UU	180	LMKP20UU	145	20				32		42	
25	LMFP25UU	340	LMKP25UU	300	25	0			40	0	59	
30	LMFP30UU	470	LMKP30UU	375	30	-10			45	-19	64	
35	LMFP35UU	650	LMKP35UU	560	35				52		70	
40	LMFP40UU	1,060	LMKP40UU	880	40	0			60	0	80	0
50	LMFP50UU	2,200	LMKP50UU	2,000	50	-12			80	-22	100	-300
60	LMFP60UU	3,000	LMKP60UU	2,560	60	0			90	0	110	
						-15				-25		
Major dimensions and tolerance								Eccentricity μ m	Squareness μ m	Basic load rating		
Flange										Dynamic C N	Static Co N	
l mm	Df mm	K mm	t mm	Dp mm	X mm	Y mm	z mm					
5	28	22	5	20	3.5	6	3.1	12	12	206	265	
5	32	25	5	24	3.5	6	3.1			274	392	
6	40	30	6	29	4.5	7.5	4.1			372	549	
6	42	32	6	32	4.5	7.5	4.1			510	784	
6	43	34	6	33	4.5	7.5	4.1			510	784	
6	48	37	6	38	4.5	7.5	4.1			774	1,180	
8	54	42	8	43	5.5	9	5.1	15	15	882	1,370	
8	62	50	8	51	5.5	9	5.1			980	1,570	
10	74	58	10	60	6.6	11	6.1			1,570	2,740	
10	82	64	10	67	6.6	11	6.1	20	20	1,670	3,140	
13	96	75	13	78	9	14	8.1			2,160	4,020	
13	116	92	13	98	9	14	8.1			3,820	7,940	
18	134	106	18	112	11	17	11.1	25	25	4,700	10,000	

## Company Information:

### Company Name:

Ningbo Meiyate Precision Transfers Component Co., Ltd.

Website:[www.myt-bearing.com](http://www.myt-bearing.com)

**Address:**

no.2,shangshao east zone,zhuangqiao town,jiangbei district,ningbo,china  
Post-code:315040

**Contact Person:**Mr.Champion Chen

**Phone:**

Telephone:+86-574-87913383, +86-574-87913373

Fax:+86-574-87910857

Mobile Phone:13685851212

**Email:**

[championchen@china-myt.com](mailto:championchen@china-myt.com)

**Live Chat:**

Msn:[championchen1980@hotmail.com](mailto:championchen1980@hotmail.com)