

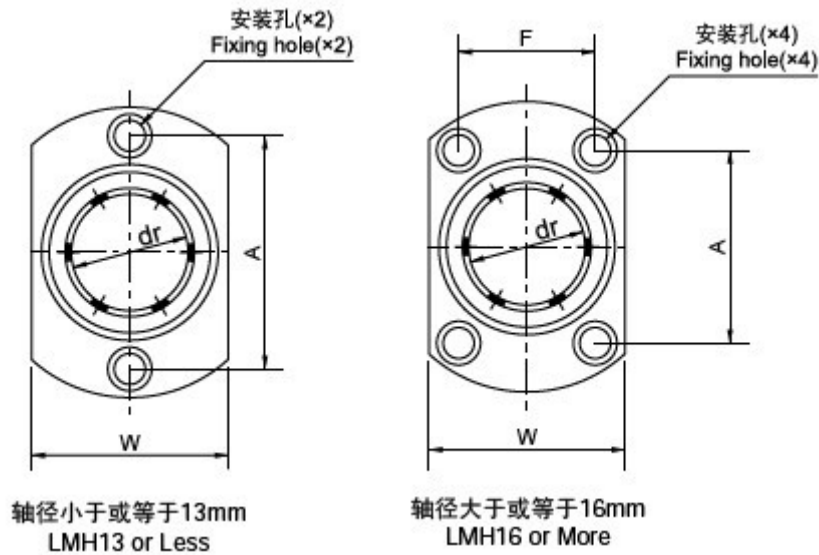
Flanged Linear Motion Ball Bearing Series LMH...UU:

Home >> Products >> Flanged Linear Bearing Series >> Flanged Linear Motion Ball Bearing Series LMH... UU



Product Description:

LMH...UU (Resin retainer)
 This type is a metric dimension series widely used in Asia and other countries.



Nominal shaft diameter mm	LMH...UU	Weight (gf)	Major dimensions and tolerance					
			mm	dr	mm	D	mm	L
				Tolerance μm		Tolerance μm		Tolerance μm
6	LMH6UU	21	6	0	12	0	19	± 300

8	LMH8UU	33	8	- 9	15	- 11	24	
10	LMH10UU	64	10		19		29	
12	LMH12UU	68	12		21	0	30	
13	LMH13UU	81	13		23	- 13	32	
16	LMH16UU	112	16		28		37	- 200
20	LMH20UU	167	20		32		42	
25	LMH25UU	325	25	0	40	0	59	0
30	LMH30UU	388	30	- 10	45	- 16	64	- 300

Major dimensions and tolerance								Eccentricity μ m	Squareness μ m	Basic load rating	
Flange										Dynamic C N	Static Co N
Df mm	W mm	t mm	A mm	F mm	X mm	Y mm	z mm				
28	18	5	20	-	3.5	6	3.1	12	12	206	265
32	21	5	24	-	3.5	6	3.1			274	392
40	25	6	29	-	4.5	7.5	4.1			372	549
42	27	6	32	-	4.5	7.5	4.1			510	784
43	29	6	33	-	4.5	7.5	4.1			510	784
48	34	6	31	22	4.5	7.5	4.1			774	1,180
54	38	8	36	24	5.5	9	5.1	15	15	882	1,370
62	46	8	40	32	5.5	9	5.1			980	1,570
74	51	10	49	35	6.6	11	6.1			1,570	2,740

Company Information:

Company Name:

Ningbo Meiyate Precision Transfers Component Co., Ltd.

Website: www.myt-bearing.com

Address:

no.2,shangshao east zone,zhuangqiao town,jiangbei district,ningbo,china

Post-code:315040

Contact Person:Mr.Champion Chen

Phone:

Telephone:+86-574-87913383, +86-574-87913373

Fax:+86-574-87910857

Mobile Phone:13685851212

Email:

championchen@china-myt.com

Live Chat:

Msn:championchen1980@hotmail.com