

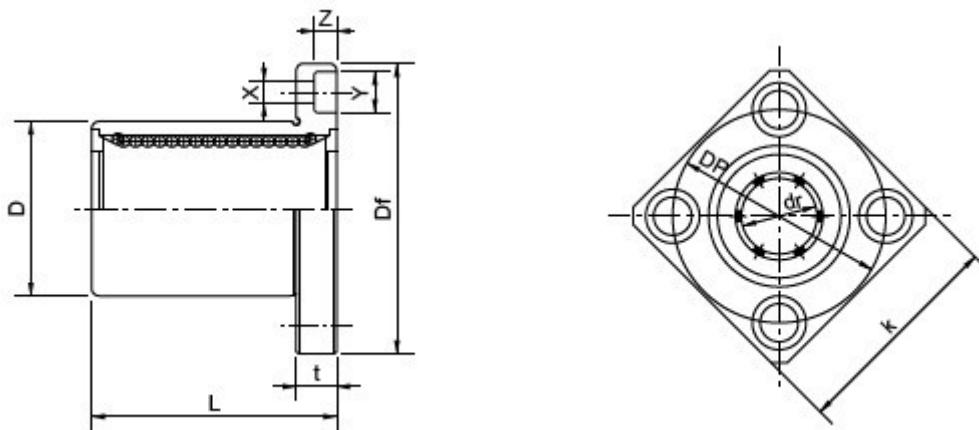
Flanged Linear Motion Ball Bearing Series LMBK...UU:

Home >> Products >> Flanged Linear Bearing Series >> Flanged Linear Motion Ball Bearing Series LMBK...UU



Product Description:

LMBK...UU (Resin retainer)
 This type is a metric dimension series
 mainly used in the America.



Nominal shaft diameter Inch/ mm	LMBF (K) ...UU	Weight (gf)	Major dimensions and tolerance					
			Inch/mm	dr	Inch/mm	D	Inch/mm	L
				Tolerance μ m		Tolerance μ m		Tolerance μ m
1/4 6.350	LMBF4UU LMBK4UU	32 25	.2500 6.350	0 - .00040	.5000 12.700	0 - .00045 0	.7500 19.050	\pm .012 \pm 300

3/8 9.525	LMBF6UU LMBK6UU	47 32	.3750 9.525	0 - 9			0 - .00050 0 - 13	.6250 15.875	.8750 22.225	
1/2 12.700	LMBF8UU LMBK8UU	88 68	.5000 12.700					.8750 22.225	1.2500 31.750	0
5/8 15.875	LMBF10UU LMBK10UU	140 124	.6250 15.875					1.1250 28.575	1.500 38.100	- .008 0 - 200
3/4 19.050	LMBF12UU LMBK12UU	190 150	.7500 19.050	0 - .00040			0 - .00065 0 - 16	1.2500 31.750	1.6250 41.275	
1 25.400	LMBF16UU LMBK16UU	325 280	1.0000 25.400	0 - 10				1.5625 39.688	2.2500 57.150	
1-1/4 31.750	LMBF20UU LMBK20UU	665 580	1.2500 31.750	0 - .00050				2.0000 50.800	2.6250 66.675	0 - .012 0 - 300
1-1/2 38.100	LMBF24UU LMBK24UU	1100 930	1.5000 38.100	0 - 12			0 - .00090 0 - 22	2.3750 60.325	3.0000 76.200	
2 50.800	LMBF32UU LMBK32UU	1760 1580	2.0000 50.800	0 - .00065				3.0000 76.200	4.0000 101.600	
2-1/2 63.500	LMBF40UU LMBK40UU	3570 3200	2.5000 63.500	0 - 15				3.7500 95.250	5.0000 127.000	
3 76.200	LMBF48UU LMBK48UU	5600 5000	3.0000 76.200	0 - 20			0 - .00100 0 - 25	4.5000 114.300	6.0000 152.400	
4 101.600	LMBF64UU LMBK64UU	12000 11300	4.0000 101.600	0 - .00080 0 - 20				6.0000 152.400	8.0000 203.200	0 - .016 0 - 400

Major dimensions and tolerance							Eccentricity Inch/μ m	Squareness Inch/μ m	Basic load rating	
Flange									Dynamic C N	Static Co N
Df Inch/mm	K Inch/ mm	t Inch/ mm	Dp Inch/ mm	X Inch/ mm	Y Inch/ mm	z Inch/ mm				
1.2500 31.750	1.0000 25.400	0.219 5.556	.8750 22.225	.1560 3.969	.2500 6.350	.1410 3.572	.0005 12	.0005 12	206	265
1.5000 38.100	1.2500 31.750	.2500 6.350	1.0620 26.988	.1875 4.763	.2970 7.541	.1720 4.366			225	314
1.7500 44.450	1.3750 34.925	.2500 6.350	1.312 33.338	.1875 4.763	.2970 7.541	.1720 4.366			510	784

2.0000 50.800	1.5000 38.100	.2500 6.350	1.5620 39.688	.1875 4.763	.2970 7.541	.1720 4.366			774	1,180
2.1875 55.563	1.6875 42.863	.3125 7.938	1.7180 43.660	.2187 5.556	.3440 8.731	.2030 5.159	.0006 15	.0006 15	862	1,370
2.5000 63.500	2.0000 50.800	.3125 7.938	2.0310 51.594	.2187 5.556	.3440 8.731	.2030 5.159			980	1,570
3.1250 79.375	2.5000 63.500	.3750 9.525	2.5625 65.088	.2812 7.144	.4060 10.319	.2656 6.747	.0008 20	.0008 20	1,570	2,740
3.7500 95.250	3.0000 76.200	.5000 12.700	3.0625 77.788	.3440 8.731	.5000 12.700	.3280 8.334			2,180	4,020
4.3750 111.125	3.5000 88.900	.5000 12.700	3.6875 93.662	.3440 8.731	.5000 12.700	.3280 8.334			3,820	7,940
5.3750 136.525	4.3750 111.125	.7500 19.050	4.5625 115.887	.4062 10.319	.6250 15.875	.3750 9.525	.0010 25	.0010 25	4,700	10,000
6.1250 155.575	5.0000 127.000	.7500 19.050	5.3125 134.937	.4062 10.319	.6250 15.875	.3750 9.525			7,350	16,000
8.0000 203.200	6.7500 171.450	.8750 22.225	7.0000 177.800	.5000 12.700	.7125 18.097	.5000 12.700	.0012 30	.0012 30	14,100	34,800

Company Information:

Company Name:

Ningbo Meiyate Precision Transfers Component Co., Ltd.

Website: www.myt-bearing.com

Address:

no.2,shangshao east zone,zhuangqiao town,jiangbei district,ningbo,china

Post-code:315040

Contact Person:Mr.Champion Chen

Phone:

Telephone:+86-574-87913383, +86-574-87913373

Fax:+86-574-87910857

Mobile Phone:13685851212

Email:

championchen@china-myt.com

Live Chat:

Msn:championchen1980@hotmail.com