

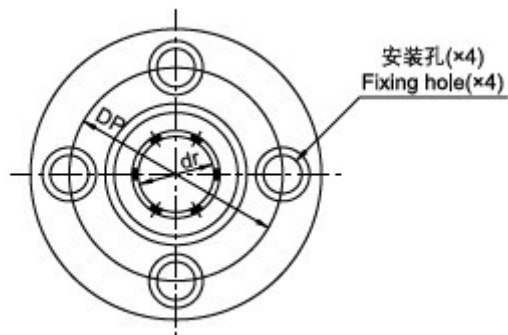
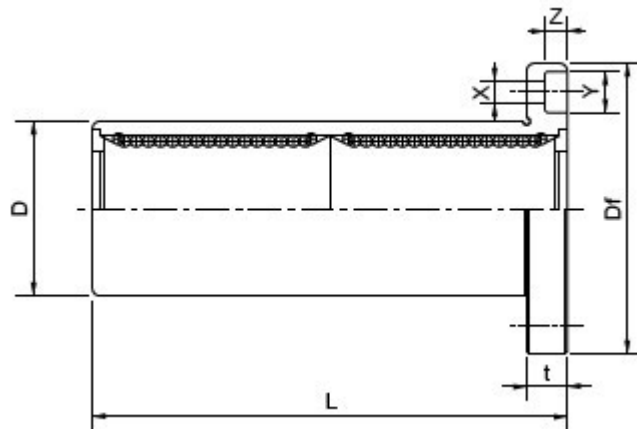
## Flanged Linear Motion Ball Bearing Series LMBF...LUU:

Home >> Products >> Flanged Linear Bearing Series >> Flanged Linear Motion Ball Bearing Series LMBF...LUU



### Product Description:

**LMBF...LUU (Resin retainer)**  
This type is a metric dimension series  
mainly used in the America.



Nominal shaft diameter Inch/ mm	LMBF (K) ...LUU	Weight (gf)	Major dimensions and tolerance					
			Inch/mm	dr	Inch/mm	D	Inch/mm	L
				Tolerance Inch/μm		Tolerance Inch/μm		Tolerance Inch/μm
				m		m		m
1/4 6.350	LMBF4UU LMBK4UU	40 33	.2500 6.350	0 - .00050	.5000 12.700	0 - .00050	1.3750 34.925	±.012 ±300
3/8 9.525	LMBF6UU LMBK6UU	60 45	.3750 9.525	0 - .00040	.6250 15.875	0 - .00065	1.5938 40.481	
1/2 12.700	LMBF8UU LMBK8UU	126 106	.5000 12.700	0 - .00040	.8750 22.225	0 - .00065	2.3750 60.325	0 - .012 0 - 300
5/8 15.875	LMBF10UU LMBK10UU	215 200	.6250 15.875	0 - .00050	1.1250 28.575	0 - .00075	2.8125 71.438	
3/4 19.050	LMBF12UU LMBK12UU	280 240	.7500 19.050	0 - .00050	1.2500 31.750	0 - .00075	3.0937 78.581	0 - .016 0 - 400
1 25.400	LMBF16UU LMBK16UU	515 470	1.0000 25.400	0 - .00065	1.5625 39.688	0 - .00100	4.2831 108.744	
1-1/4 31.750	LMBF20UU LMBK20UU	1020 935	1.2500 31.750	0 - .00065	2.0000 50.800	0 - .00090	5.0000 127.000	0 - .016 0 - 400
1-1/2 38.100	LMBF24UU LMBK24UU	1630 1460	1.5000 38.100	0 - .00065	2.3750 60.325	0 - .00100	5.6875 144.463	
2 50.800	LMBF32UU LMBK32UU	2800 2620	2.0000 50.800	0 - .00100	3.0000 76.200	0 - .00100	7.7500 196.850	

Major dimensions and tolerance							Eccentricity Inch/μm	Squareness Inch/μm	Basic load rating	
Flange									Dynamic C N	Static Co N
Df Inch/mm	K Inch/ mm	t Inch/ mm	Dp Inch/ mm	X Inch/ mm	Y Inch/ mm	z Inch/ mm				
1.2500 31.750	1.0000 25.400	0.219 5.556	.8750 22.225	.1563 3.969	.2500 6.350	.1406 3.572	.0006 15	.0006 15	323	530
1.5000 38.100	1.2500	2.500 6.350	1.0625	1.875	2.060 7.511	1.710			352	620

	31.750		26.988	4.763		4.366				
1.7500 44.450	1.3750 34.925	.2500 6.350	1.3112 33.338	.1875 4.763	.2969 7.541	.1719 4.366			813	1,570
2.0000 50.800	1.5000 38.100	.2500 6.350	1.5620 39.688	.1875 4.763	.2969 7.541	.1719 4.366			1,230	2,350
2.1875 55.563	1.6875 42.863	.3125 7.938	1.7180 43.660	.2188 5.556	.3439 8.731	.2031 5.159	.0008	.0008	1,370	2,740
2.5000 63.500	2.0000 50.800	.3125 7.938	2.0310 51.594	.2188 5.556	.3438 8.731	.2031 5.159	20	20	1,570	3,140
3.1250 79.375	2.5000 63.500	.3750 9.525	2.5625 65.088	.2813 7.144	.4063 10.319	.2656 6.747	.0010	.0010	2,500	5,490
3.7500 95.250	3.0000 76.200	.5000 12.700	3.0625 77.788	.3437 8.731	.5000 12.700	.3281 8.334	25	25	3,430	8,040
4.3750 111.125	3.5000 88.900	.5000 12.700	3.6875 93.662	.3437 8.731	.5000 12.700	.3281 8.334	.0012 30	.0012 30	6,080	15,900