

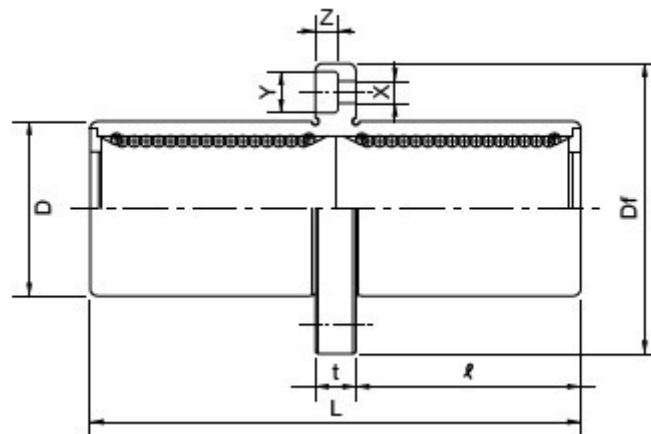
Flanged Linear Motion Ball Bearing Series LMBFM...LUU:

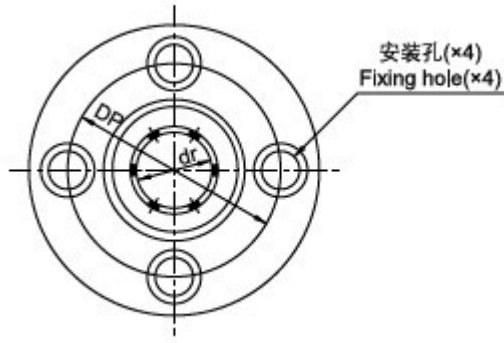
Home >> Products >> Flanged Linear Bearing Series >> Flanged Linear Motion Ball Bearing Series LMBK...LUU



Product Description:

LMBFM...LUU (Resin retainer)
This type is a metric dimension series
mainly used in the America.





Nominal shaft diameter Inch/ mm	LMBF (K) ...LUU	Weight (gf)	Major dimensions and tolerance					
			Inch/mm	dr	Inch/mm	D	Inch/mm	L
				Tolerance Inch/ μ m		Tolerance Inch/ μ m		Tolerance Inch/ μ m
1/4 6.350	LMBF4UU	40	.2500 6.350	0	.5000 12.700	0	1.3750 34.925	\pm .012 \pm 300
	LMBK4UU	33		0		- 13		
3/8 9.525	LMBF6UU	60	.3750 9.525	0	.6250 15.875	0	1.5938 40.481	
	LMBK6UU	45		- .00040		- 10		
1/2 12.700	LMBF8UU	126	.5000 12.700	0	.8750 22.225	- .00065	2.3750 60.325	
	LMBK8UU	106		- 16				
5/8 15.875	LMBF10UU	215	.6250 15.875	0	1.1250 28.575	0	2.8125 71.438	0
	LMBK10UU	200		- .00075		- 19		- .012
3/4 19.050	LMBF12UU	280	.7500 19.050	0	1.2500 31.750	0	3.0937 78.581	0
	LMBK12UU	240		- .00050		- 19		- 300
1 25.400	LMBF16UU	515	1.0000 25.400	0	1.5625 39.688	0	4.2831 108.744	0
	LMBK16UU	470		- 12				
1-1/4 31.750	LMBF20UU	1020 935	1.2500 31.750	0	2.0000 50.800	0	5.0000 127.000	0
	LMBK20UU			- .00090				
1-1/2 38.100	LMBF24UU	1630	1.5000 38.100	0	2.3750 60.325	0	5.6875 144.463	- .016
	LMBK24UU	1460		- .00065		- 22		0
2 50.800	LMBF32UU	2800	2.0000 50.800	0	3.0000 76.200	0	7.7500 196.850	- 400
	LMBK32UU	2620		- 16		- 25		

Major dimensions and tolerance								Eccentricity Inch/ μ m	Squareness Inch/ μ m	Basic load rating	
Flange										Dynamic C N	Static Co N
I Inch/mm	Df Inch/mm	K Inch/mm	t Inch/mm	Dp Inch/mm	X Inch/mm	Y Inch/mm	Z Inch/mm				
.5781 14.684	1.2500 31.750	1.0000 25.400	0.2188 5.556	.8750 22.225	.1563 3.969	.2500 6.350	.1406 3.572	.0006 15	.0006 15	323	530
.6791 17.066	1.5000 38.100	1.2500 31.750	.2500 6.350	1.0620 26.988	.1875 4.763	.2969 7.541	.1719 4.366			353	630
1.0625 26.988	1.7500 44.450	1.3750 34.925	.2500 6.350	1.312 33.338	.1875 4.763	.2969 7.541	.1719 4.366			813	1,570
1.2813 32.544	2.0000 50.800	1.5000 38.100	.2500 6.350	1.5620 39.688	.1875 4.763	.2969 7.541	.1719 4.366			1,230	2,350
1.3906 36.322	2.1875 55.563	1.6875 42.863	.3125 7.938	1.7180 43.660	.2188 5.556	.3439 8.731	.2031 5.159	.0008 20	.0008 20	1,370	2,740
1.9844 50.403	2.5000 63.500	2.0000 50.800	.3125 7.938	2.0310 51.594	.2188 5.556	.3438 8.731	.2031 5.159			1,570	3,140
2.3125 58.738	3.1250 79.375	2.5000 63.500	.3750 9.525	2.5625 65.088	.2813 7.144	.4063 10.319	.2656 6.747	.0010 25	.0010 25	2,500	5,490
2.5938 65.822	3.7500 95.250	3.0000 76.200	.5000 12.700	3.0625 77.788	.3437 8.731	.5000 12.700	.3281 8.334			3,430	8,040
3.6250 92.075	4.3750 111.125	3.5000 88.900	.5000 12.700	3.6875 93.662	.3437 8.731	.5000 12.700	.3281 8.334	.0012 30	.0012 30	6,080	15,900

Company Information:

Company Name:

Ningbo Meiyate Precision Transfers Component Co., Ltd.

Website: www.myt-bearing.com

Address:

no.2,shangshao east zone,zhuangqiao town,jiangbei district,ningbo,china

Post-code:315040

Contact Person:Mr.Champion Chen

Phone:

Telephone:+86-574-87913383, +86-574-87913373

Fax:+86-574-87910857

Mobile Phone:13685851212

Email:

championchen@china-myt.com

Live Chat:

Msn:championchen1980@hotmail.com